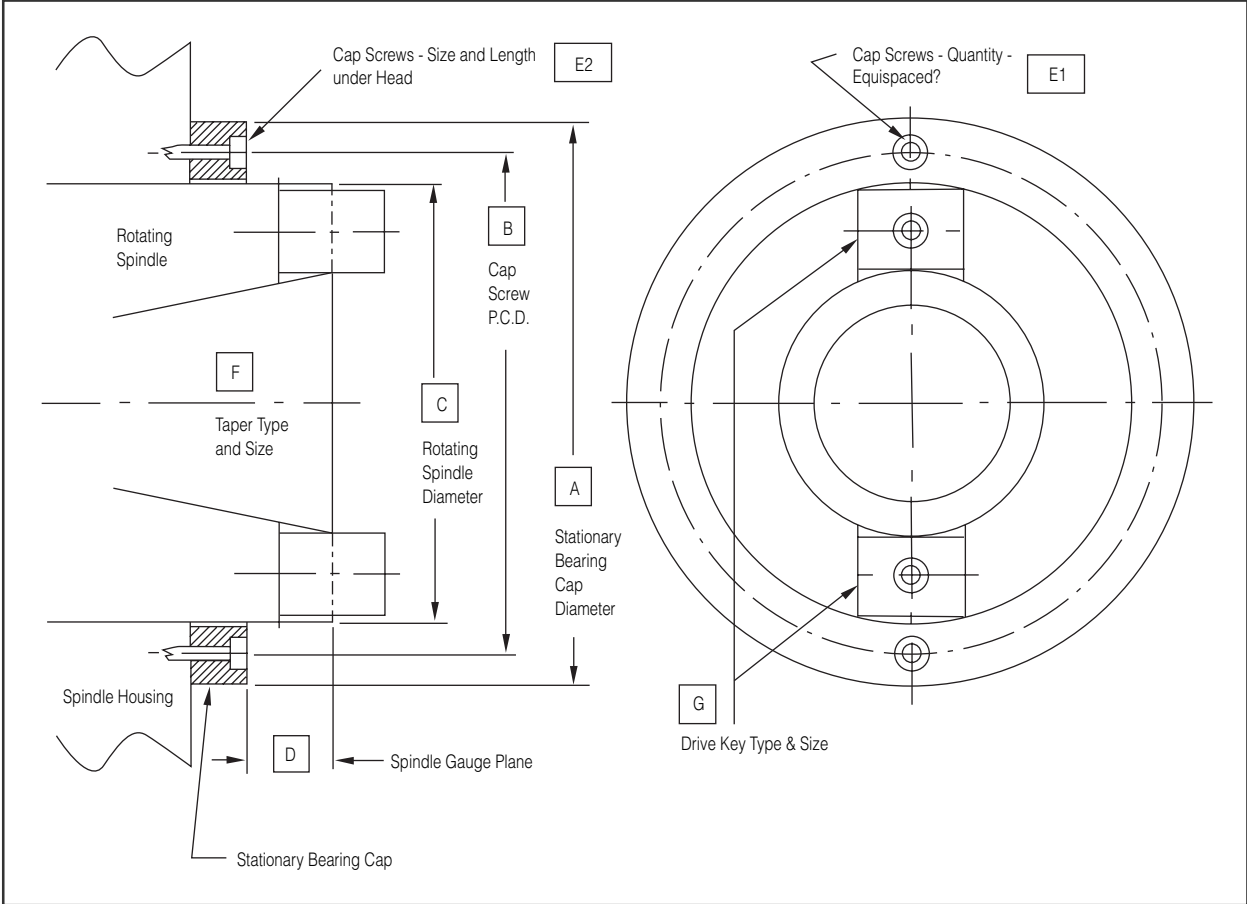


ATC MACHINE SPINDLE NOSE DETAILS



Information required when ordering

Machine:	Make		
	Model		
Bearing Cap Diameter (Stationary)	A		
Cap Screw Pitch Circle Diameter	B		
Spindle Diameter (Rotating)	C		
Spindle Gauge Plane to Bearing Cap Distance	D		
Cap Screws - Quantity - Equispaced?	E1		
Cap Screws - Size & Length under Head	E2		
Taper Type and Size (BT / ANSI / DIN / HSK)	F		
Drive Key Type and Size	G		
Any Existing Tapped Mounting Holes Available?			If Yes Please Provide Sketch