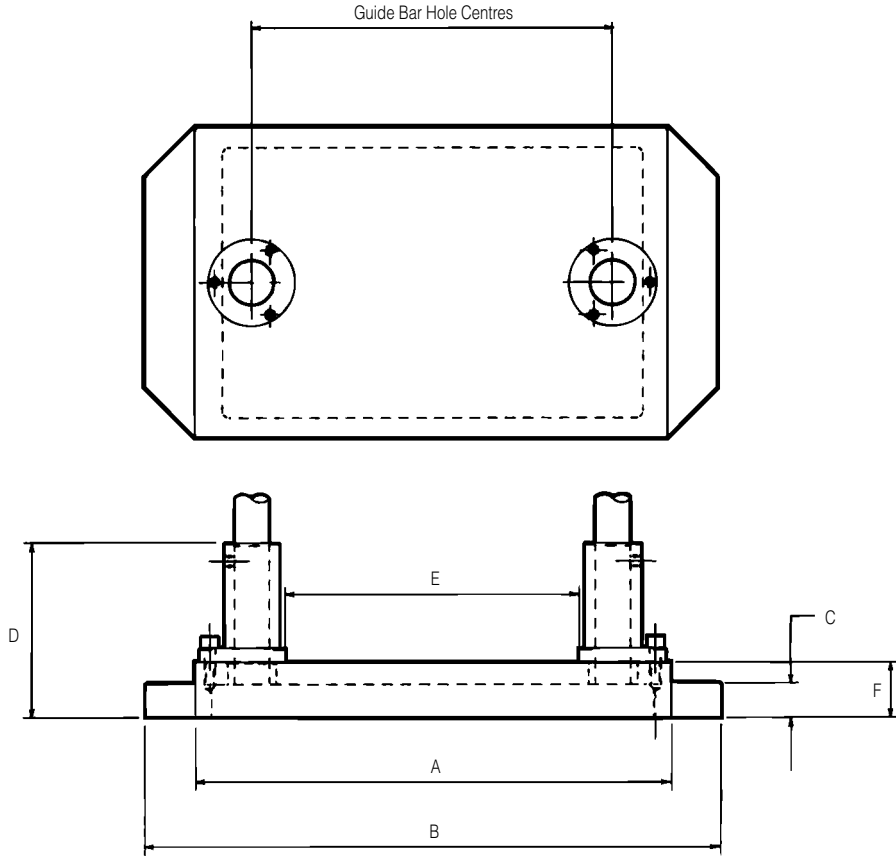


## BASE PLATE ASSEMBLY



### 30 Range

Main Body Assembly	Guide Bar Hole Centres	A	B	C	D	E	F
30 BC 21 BPA	150.0	240.0	320.0	25.0	125.0	102.0	40.0
30 BC 24 BPA	150.0	240.0	320.0	25.0	125.0	102.0	40.0
30 CD 30 BPA	175.0	265.0	345.0	25.0	125.0	127.0	40.0
30 CD 36 BPA	175.0	265.0	345.0	25.0	125.0	127.0	40.0
30 DE 42 BPA	200.0	290.0	370.0	25.0	125.0	152.0	40.0

### 40 Range

Main Body Assembly	Guide Bar Hole Centres	A	B	C	D	E	F
40 DE 32 BPA	225.0	315.0	395.0	25.0	125.0	177.0	40.0
40 EF 42 BPA	225.0	315.0	395.0	25.0	125.0	177.0	40.0
40 EG 54 BPA	300.0	380.0	460.0	25.0	125.0	252.0	40.0
40 FH 81 BPA	300.0	380.0	460.0	25.0	125.0	252.0	40.0

### 50 Range

Main Body Assembly	Guide Bar Hole Centres	A	B	C	D	E	F
50 FG 32 BPA	275.0	380.0	460.0	25.0	130.0	175.0	40.0
50 HK 42 BPA	350.0	457.0	533.0	32.0	140.0	250.0	50.0
50 LN XX BPA	500.0	625.0	725.0	30.0	150.0	400.0	60.0