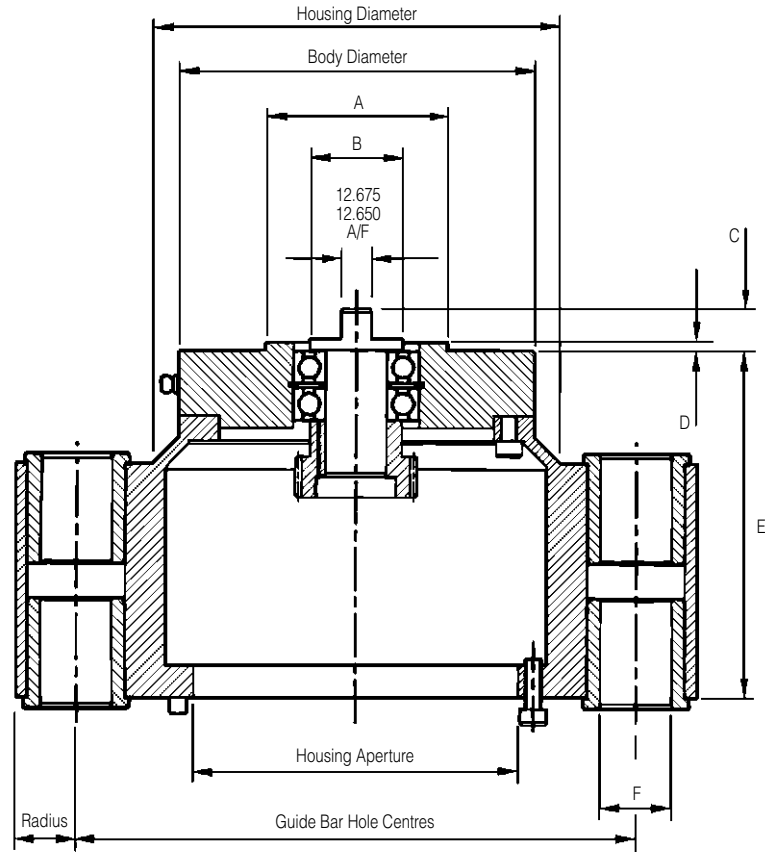


## MAIN BODY ASSEMBLY WITH GUIDE BAR BUSHES



### 30 Range

Main Body Assembly	Housing Diameter	Body Diameter	Guide Bar Centres	Housing Aperture	Radius	A	B	C	D	E	F
30BC 21 GB	100.0	90.0	150.0	78.0	22.5	50.0	31.0	17.0	4.0	94.0	20.0
30 BC 24 GB	100.0	90.0	150.0	78.0	22.5	50.0	31.0	17.0	4.0	94.0	20.0
30 CD 30 GB	125.0	100.0	175.0	103.0	25.0	50.0	31.0	17.0	4.0	94.0	20.0
30 CD 36 GB	125.0	100.0	175.0	103.0	25.0	50.0	31.0	17.0	4.0	94.0	20.0
30 DE 42 GB	150.0	125.0	200.0	128.0	27.5	50.0	31.0	17.0	4.0	94.0	20.0

### 40 Range

Main Body Assembly	Housing Diameter	Body Diameter	Guide Bar Centres	Housing Aperture	Radius	A	B	C	D	E	F
40 DE 32 GB	150.0	125.0	225.0	116.0	32.0	90.0	38.0	17.0	4.0	131.0	25.0
40 EF 42 GB	175.0	150.0	225.0	141.0	32.0	90.0	38.0	17.0	4.0	131.0	25.0
40 EG 54 GB	200.0	150.0	300.0	162.0	25.5	90.0	38.0	17.0	4.0	131.0	25.0
40 FH 81 GB	225.0	175.0	300.0	187.0	25.5	90.0	38.0	17.0	4.0	131.0	25.0

### 50 Range

Main Body Assembly	Housing Diameter	Body Diameter	Guide Bar Centres	Housing Aperture	Radius	A	B	C	D	E	F
50 FG 32 GB	200.0	175.0	275.0	160.0	30.0	90.0	38.0	17.0	4.0	170.0	35.0
50 HK 42 GB	275.0	225.0	350.0	235.0	35.0	90.0	38.0	17.0	4.0	170.0	35.0
50 LN XX GB	350.0	300.0	500.0	310.0	50.0	90.0	38.0	17.0	4.0	170.0	35.0