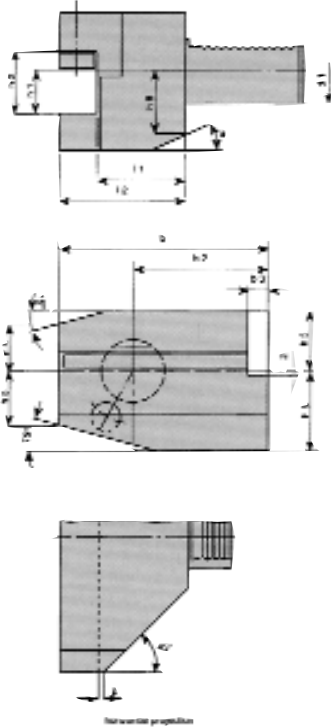


**■ B5 Turning Tool**

**Form B5 Right Hand-Long**

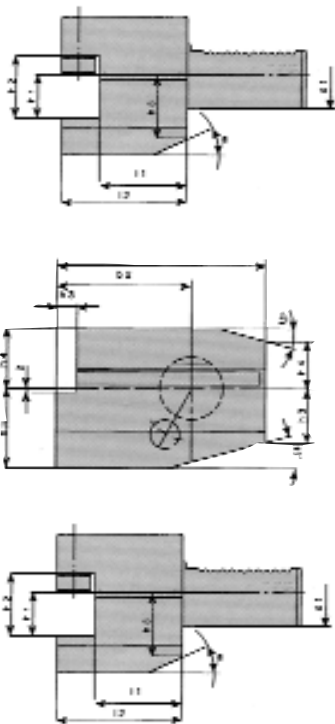


Ordering No.	D1	B1	B2	B3	H1	H2	H3	H4	H5	H6	H8	L1	L2	a
VDI-16-B5	16	58	39	5	12	17	15	15	20	22	19	13	24	30°
VDI-16-B5-34	16	58	39	5	12	17	15	15	20	22	19	23	34	30°
VDI-20-B5	20	75	50	7	16	22	19	19	25	30	23	16	30	30°
VDI-20-B5-40	20	75	50	7	16	22	19	19	25	30	23	26	40	30°
VDI-30-B5	30	100	65	10	20	29	26	22	28	38	30	22	40	25°
VDI-30-B5-60	30	100	65	10	20	29	26	22	28	38	30	42	60	25°
VDI-40-B5	40	118	75.5	12.5	25	34	35	30	32.5	48	-	22	44	-
VDI-50-B5	50	130	80	16	32	41	42	35	35	60	-	30	55	-
VDI-60-B5	60	145	82.5	16	32	41	46	42.5	42.5	62.5	-	30	60	-

**DIN.69880 Part 3**  
**VDI 3425 Sheet 2**

**■ B6 Turning Tool**

**Form B6 Left Hand-Long**



Ordering No.	D1	B1	B2	B3	H1	H2	H3	H4	H5	H6	H8	L1	L2	a
VDI-16-B6	16	58	39	5	12	17	15	15	20	22	19	13	24	30°
VDI-16-B6-34	16	58	39	5	12	17	15	15	20	22	19	23	34	30°
VDI-20-B6	20	75	50	7	16	22	19	19	25	30	23	16	30	30°
VDI-20-B6-40	20	75	50	7	16	22	19	19	25	30	23	26	40	30°
VDI-30-B6	30	100	65	10	20	29	26	22	28	38	30	22	40	25°
VDI-30-B6-60	30	100	65	10	20	29	26	22	28	38	30	42	60	25°
VDI-40-B6	40	118	75.5	12.5	25	34	35	30	32.5	48	-	22	44	-
VDI-50-B6	50	130	80	16	32	41	42	35	35	60	-	30	55	-
VDI-60-B6	60	145	82.5	16	32	41	46	42.5	42.5	62.5	-	30	60	-

**DIN.69880 Part 3**  
**VDI 3425 Sheet 2**